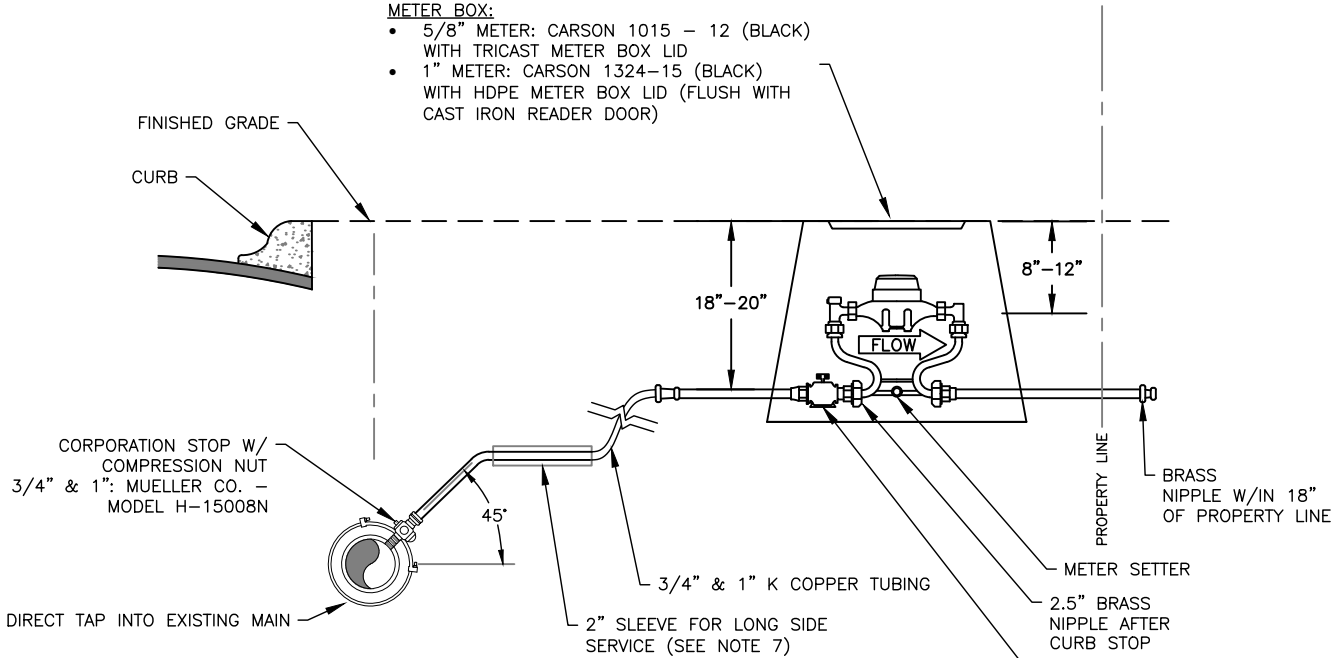


LOCAL SUPPLIERS OF METER BOXES / METER SETTERS:

- A. CONSOLIDATED PIPE & SUPPLY CO. (864) 964-9370
- B. CORE & MAIN (864) 968-0076
- C. FERGUSON WATERWORKS (864) 716-0955
- D. FORTILINE WATERWORKS (864) 299-0755

METER BOX:

- 5/8" METER: CARSON 1015 - 12 (BLACK) WITH TRICAST METER BOX LID
- 1" METER: CARSON 1324-15 (BLACK) WITH HDPE METER BOX LID (FLUSH WITH CAST IRON READER DOOR)



METER SETTER

FORD METER BOX CO.

- 5/8" METER: MODEL VBHH72-7W-11-33-NL
- 1" METER: MODEL VBHH74-10W-11-44-NL

CURB STOP
MUELLER CO.

- 3/4": MODEL B-25170N
- 1": MODEL H-15170N

NOTES:

1. THE ENGINEER, OWNER, DEVELOPER, APPLICANT, OR CONTRACTOR IS RESPONSIBLE FOR OBTAINING ANY REQUIRED ENCROACHMENT PERMIT FOR EXCAVATION FROM THE SCDOT, GREENVILLE COUNTY, SPARTANBURG COUNTY, OR THE CITY OF GREER. THIS RESPONSIBILITY DOES NOT FALL ON THE GREER CPW.
2. CONTACT GREER CPW AT LEAST 72 HOURS IN ADVANCE TO SCHEDULE THE WATER TAP.
3. ALL EXCAVATION BY PLUMBER/CONTRACTOR.
4. APPROXIMATE SIZE OF HOLE WHERE TAP IS MADE IS 5 FT X 5 FT (6 IN BEHIND AND UNDER MAIN). HOLE TO BE WIDER AND SHORED WHEN MAIN IS DEEPER THAN 5 FT.
5. FOR 5/8" METER, PLUMBER WILL PROVIDE ALL MATERIAL (EXCEPT FOR CORPORATION STOP), INCLUDING COPPER TUBING, METER BOX, METER SETTER, AND CURB STOP AND INSTALL SERVICE(S) UNDER GREER CPW SUPERVISION. FOR 1" METER, ALL MATERIAL (EXCEPT FOR COPPER TUBING AND CURB STOP) SUPPLIED BY GREER CPW.
6. SERVICE LINE MUST HAVE 36" COVER (MINIMUM) UNDER ROADSIDE DITCH.
7. SERVICE LINE SHALL NOT BE PLACED UNDER DRIVEWAY.
8. METER BOXES SHALL BE INSTALLED PERPENDICULAR TO THE PROPERTY LINE, AS SHOWN HEREIN.
9. PLUMBER/CONTRACTOR SHALL PROVIDE A SLEEVE OR CONDUIT (PVC - 2" SCHEDULE 40 OR 2" SDR 21) FOR LONG SIDE SERVICE LINE. SLEEVE TO EXTEND BEYOND BACK OF CURB, ASPHALT, OR SIDEWALK.
10. PLUMBER SHALL CALL GREER CPW (864.848.5500) WHEN READY FOR METER TO BE INSTALLED OR FOR ASSISTANCE IF UNUSUAL CONDITIONS EXIST.
11. USE MUELLER CO. (MODEL H-15428N) OR DRESSER (STYLE #88) BRASS COMPRESSION FITTINGS FOR COPPER TUBING.
12. A SCDOS-APPROVED BACKFLOW PREVENTION ASSEMBLY SHALL BE INSTALLED DOWNSTREAM OF THE WATER METER IN A SEPARATE METER BOX LOCATED WITHIN FIVE (5) FEET OF THE WATER METER. IF THE ASSEMBLY CANNOT BE INSTALLED WITHIN THIS DISTANCE, THE PROPOSED LOCATION MUST BE REVIEWED AND APPROVED BY GREER CPW. THE BACKFLOW PREVENTION ASSEMBLY SHALL BE INSTALLED IN THE UPRIGHT POSITION WITH THE MAKE AND MODEL CLEARLY VISIBLE. TEST PORTS AND SHUTOFF VALVES MUST BE ACCESSIBLE, AND THE DEVICE BOX SHALL BE FLUSH WITH FINISHED GRADE. PLEASE CONTACT GREER CPW ONCE THE BACKFLOW PREVENTION ASSEMBLY IS INSTALLED SO THE WATER METER CAN BE SET.
13. RESIDENTIAL - IRRIGATION WATER METER: FOR NEWLY INSTALLED RESIDENTIAL SERVICES, A DUAL CHECK VALVE IS REQUIRED AND WILL BE INSTALLED AS PART OF THE METER SETTER. GREER CPW WILL REPLACE THE DUAL CHECK VALVE ASSEMBLY EVERY TEN (10) YEARS.
14. COMMERCIAL - DOMESTIC AND IRRIGATION WATER METERS: FOR NEWLY INSTALLED COMMERCIAL SERVICES, GREER CPW WILL DETERMINE THE REQUIRED TYPE OF BACKFLOW PREVENTION ASSEMBLY. THE BACKFLOW PREVENTION ASSEMBLY MUST BE TESTED BY A SOUTH CAROLINA-CERTIFIED BACKFLOW TESTER WITHIN TEN (10) DAYS AFTER THE WATER METER IS INSTALLED, AND A COPY OF THE TEST REPORT MUST BE EMAILED TO BACKFLOW@GREERCPW.COM



WATER	ELECTRIC	WASTEWATER	GAS
X			
W-7			

TYPICAL 5/8" & 1" WATER SERVICE DETAIL

3				
2				
1				
0	12/31/2025	SHERER	KENNETTE	CRAWFORD
REVISED	BY	CHK'D	APPR.	

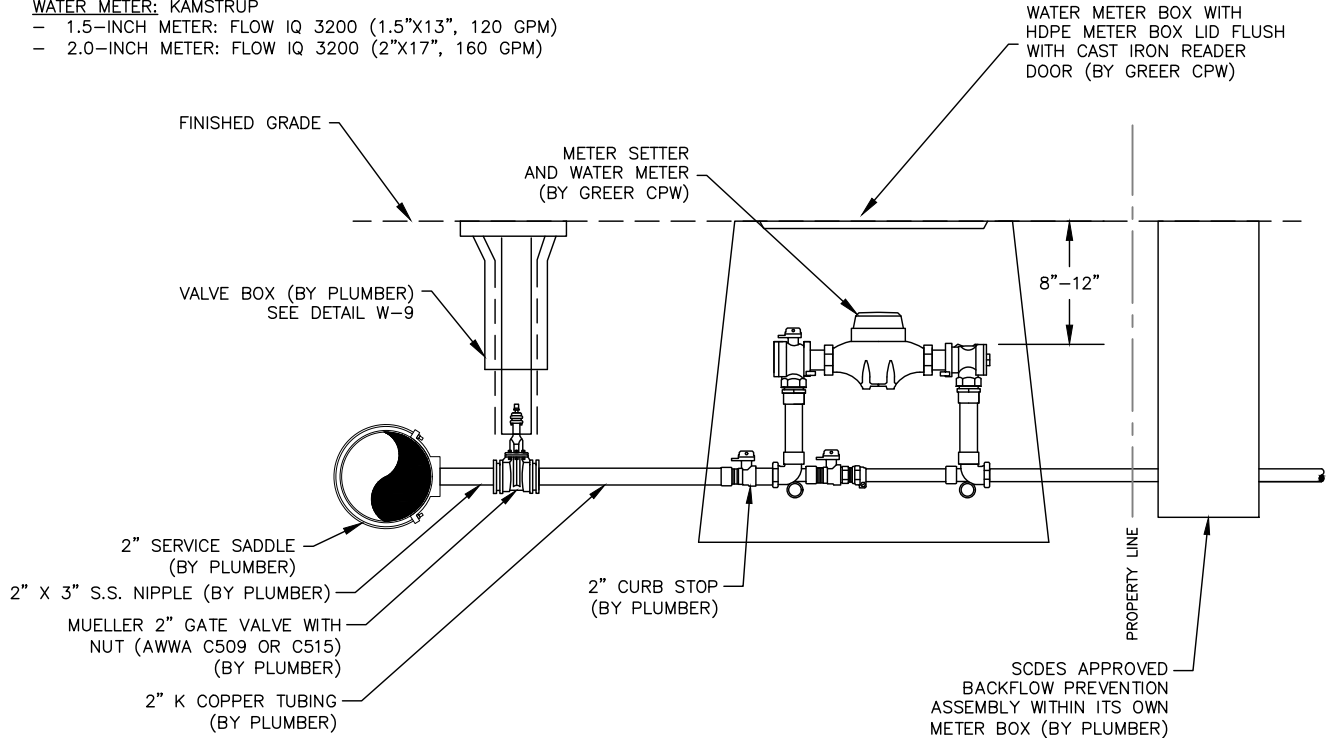
LOCAL SUPPLIERS OF METER BOXES / METER SETTERS:

- A. CONSOLIDATED PIPE & SUPPLY CO. (864) 964-9370
- B. CORE & MAIN (864) 968-0076
- C. FERGUSON WATERWORKS (864) 716-0955
- D. FORTILINE WATERWORKS (864) 299-0755

METER BOX: CARSON 1730-18 (BLACK) WITH HDPE METER (FLUSH WITH CAST IRON READER DOOR).


METER SETTER: FORD METER BOX CO.
 - 1.5-INCH METER: 70 SERIES COPPERSETTER - VBHH76-12B-11-66-NL
 - 2-INCH METER: 70 SERIES COPPERSETTER - VBHH77-12B-11-77-NL

WATER METER: KAMSTRUP
 - 1.5-INCH METER: FLOW IQ 3200 (1.5"x13", 120 GPM)
 - 2.0-INCH METER: FLOW IQ 3200 (2"x17", 160 GPM)



NOTES:

1. THE ENGINEER, OWNER, DEVELOPER, APPLICANT, OR CONTRACTOR IS RESPONSIBLE FOR OBTAINING ANY REQUIRED ENCROACHMENT PERMIT FOR EXCAVATION FROM THE SCDOT, GREENVILLE COUNTY, SPARTANBURG COUNTY, OR THE CITY OF GREER. THIS RESPONSIBILITY DOES NOT FALL ON THE GREER COMMISSION OF PUBLIC WORKS (GREER CPW).
2. A COPY OF THE APPROVED ENCROACHMENT PERMIT MUST BE PROVIDED TO GREER CPW, AND ALL APPLICABLE FEES MUST BE PAID PRIOR TO THE WATER TAP BEING PERFORMED. PLEASE CONTACT GREER CPW AT LEAST 72 HOURS IN ADVANCE TO SCHEDULE THE WATER TAP.
3. GREER CPW MUST BE NOTIFIED OF THE INTENT TO DIG BY CALLING 811. SOUTH CAROLINA 811 WILL NOTIFY UTILITY OPERATORS IN THE AREA TO MARK ANY BURIED UTILITY LINES ON THE PROPERTY.
4. ALL EXCAVATION SHALL BE PERFORMED BY THE CONTRACTOR.
5. THE WATER TAP MAY BE PERFORMED BY EITHER GREER CPW OR THE CONTRACTOR. IF PERFORMED BY THE CONTRACTOR, THE CONTRACTOR SHALL:
 - A. LOCATE, EXPOSE, AND CLEAN THE WATER MAIN.
 - B. INSTALL THE SERVICE SADDLE AND GATE VALVE AT THE 3 O'CLOCK OR 9 O'CLOCK POSITION.
 - C. COORDINATE FOR GREER CPW TO WITNESS THE WATER TAP.
6. THE CONTRACTOR SHALL PROVIDE ALL MATERIALS LISTED IN THE CONTRACTOR MATERIAL TABLE. SEE W-8B.
7. GREER CPW WILL PROVIDE THE METER BOX, METER SETTER, AND WATER METER.
8. THE CONTRACTOR SHALL INSTALL A CONTINUOUS RUN OF K-TYPE COPPER TUBING FROM THE WATER TAP TO THE CURB STOP. THE CURB STOP MUST BE LOCATED INSIDE THE WATER METER BOX. PEX TUBING IS NOT PERMITTED. NO FITTINGS ARE ALLOWED IN THE WATER SERVICE LINE BETWEEN THE WATER TAP AND CURB STOP.
9. A SCDOS-APPROVED BACKFLOW PREVENTION ASSEMBLY SHALL BE INSTALLED DOWNSTREAM OF THE WATER METER IN A SEPARATE METER BOX LOCATED WITHIN FIVE (5) FEET OF THE WATER METER. IF THE ASSEMBLY CANNOT BE INSTALLED WITHIN THIS DISTANCE, THE PROPOSED LOCATION MUST BE REVIEWED AND APPROVED BY GREER CPW. THE BACKFLOW PREVENTION ASSEMBLY SHALL BE INSTALLED IN THE UPRIGHT POSITION WITH THE MAKE AND MODEL CLEARLY VISIBLE. TEST PORTS AND SHUTOFF VALVES MUST BE ACCESSIBLE, AND THE DEVICE BOX SHALL BE FLUSH WITH FINISHED GRADE. PLEASE CONTACT GREER CPW ONCE THE BACKFLOW PREVENTION ASSEMBLY IS INSTALLED SO THE WATER METER CAN BE SET. THE BACKFLOW PREVENTION ASSEMBLY MUST BE TESTED BY A SOUTH CAROLINA-CERTIFIED BACKFLOW TESTER WITHIN TEN (10) DAYS AFTER THE WATER METER IS INSTALLED.
 - A. RESIDENTIAL: FOR NEWLY INSTALLED RESIDENTIAL SERVICES, A DUAL CHECK VALVE IS REQUIRED AND WILL BE INSTALLED AS PART OF THE METER SETTER. GREER CPW WILL REPLACE THE DUAL CHECK VALVE ASSEMBLY EVERY TEN (10) YEARS.
 - B. COMMERCIAL: FOR NEWLY INSTALLED COMMERCIAL SERVICES, GREER CPW WILL DETERMINE THE REQUIRED TYPE OF BACKFLOW PREVENTION ASSEMBLY. THE ASSEMBLY MUST BE TESTED, AND A COPY OF THE TEST REPORT MUST BE EMAILED TO BACKFLOW@GREERCPW.COM.



WATER	ELECTRIC	WASTEWATER	GAS
X			
W-8A			

3				
2				
1				
0	12/31/2025	SHERER	KENNETTE	CRAWFORD
REVISED	BY	CHK'D	APPR.	

TYPICAL 1-1/2" & 2" WATER SERVICE DETAIL

Contractor's Material Table


1.5-inch Water Meter	2-inch Water Meter	Quantity
2-inch Smith Blair 313 Double Bale Ductile Iron Service Saddle	2-inch Smith Blair 313 Double Bale Ductile Iron Service Saddle	1 EA
2-inch x 3-inch Stainless-Steel Nipple	2-inch x 3-inch Stainless-Steel Nipple	1 EA
2-inch Mueller A-2362 Resilient Wedge Gate Valve Thread x Thread	2-inch Mueller A-2362 Resilient Wedge Gate Valve Thread x Thread	1 EA
2-inch Straight Coupling Mueller 110 Conductive Compression CTS O.D. Tubing x MIP Thread (Model No. H-15428N)	2-inch Mueller Straight Coupling 110 Conductive Compression CTS O.D. Tubing x MIP Threads (Model No. H-15428N)	2 EA
Greenville P107 Valve Box With Water Lid or Bingham & Taylor Valve Box With Water Lid (Detail W-9)	Greenville P107 Valve Box With Water Lid or Bingham & Taylor Valve Box With Water Lid (Detail W-9)	1 EA
2-inch K Copper Tubing	2-inch K Copper Tubing	Required Length Of K Copper Tubing From Water Tap To Meter Box Location
2-inch Mueller 300 Ball Curb Valve, FIP Thread x FIP Thread (Model No. B-20283N)	2-inch Mueller 300 Ball Curb Valve, FIP Thread x FIP Thread (Model No. B-20283N)	1 EA
2-inch x 1.5-inch Brass Reducing Bushing	2-inch x 3-inch Brass Nipple	1 EA
1.5-inch x 3-inch Brass Nipple		1 EA

Greer CPWs Material Table

1.5-inch Water Meter	2-inch Water Meter	Quantity
Carson 1730-18 (Black) With HDPE Meter Box Lid (Flush With Cast Iron Reader Door)	Carson 1730-18 (Black) With HDPE Meter Box Lid (Flush With Cast Iron Reader Door)	1 EA
Ford Meter Box Co. 70 Series Coppersetter VBHH76-12B-11-66-NL	Ford Meter Box Co. 70 Series Coppersetter VBHH77-12B-11-77-NL	1 EA
Kamstrup Water Meter FlowIQ 3200 1.5-inch x 13-inch, 120 GPM	Kamstrup Water Meter FlowIQ 3200 2-inch x 17-inch, 160 GPM	1 EA

3				
2				
1				
0	12/31/2025	SHERER	KENNETTE	CRAWFORD
REVISED	BY	CHK'D	APPR.	

TYPICAL 1-1/2" & 2" WATER SERVICE MATERIALS LIST

			
WATER	ELECTRIC	WASTEWATER	GAS
X			
W-8B			